



User Guide

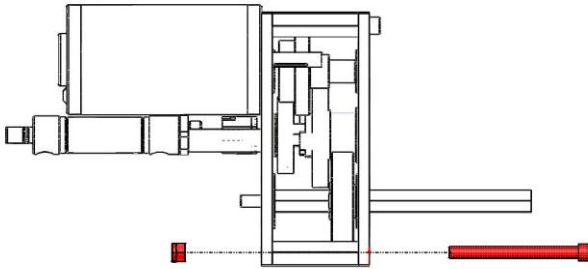
Sonic Shifter onto AM14U4 Chassis

Using am-14U4-EMK

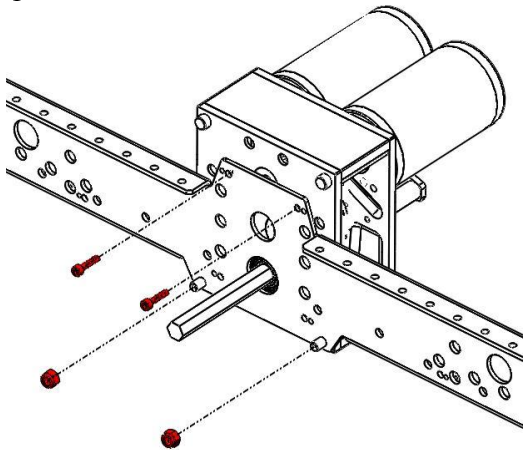


Note: This guide replaces steps 1-8 of the *Toughbox Mini Instructions* for the AM14U4, as well as Steps 1, 7-10 in the *Chassis Assembly*. Please refer to that guide for the rest of the chassis assembly instructions.

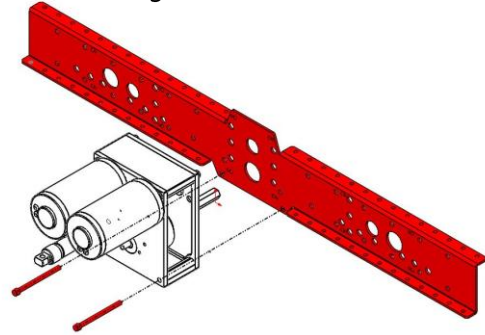
Step 1: Remove the bottom two 1/4-20 x 3.00 SHCS (am-1030) and 1/4-20 Nylock nuts (am-1015) from the Sonic Shifter.



Step 3: Flip the inside plate over, and install two #10-32 x 0.75" SHCS through the inside plate into the Sonic Shifter. Install the two 1/4-20 Nylock Nuts onto the 1/4-20 Screws and tighten.



Step 2: Insert the two 1/4-20 x 3.00 SHCS into the side of the Sonic Shifter with the motors, then insert the hex shaft through the large bearing hole. Insert the 1/4 screws the into the two 1/4" diameter holes on the AM14U4 Inside Plate on the same side as the bottom flange.



Step 4: Secure the #10-32 screws with #10-32 Nylock Nuts (am-1047) as shown. Install one 500Hex x 0.25" Spacer (am-3948-250) against the hex bearing on the output shaft of the Sonic Shifter.

